

FEATURES

- Laser welded diaphragm
- Full seal-welded seal

APPLICATION

- Oil & Gas applications
- Corrosive environments

Threaded



STANDARD PARAMETERS

Accuracy	: CL 1.6
Ambient temperature	: -40...+65°C (without dampening liquid)
	: -20...+65°C (with dampening liquid)
Service temperature	: 10...150°C max.
Pressure limits	: Steady pressure up to FS value
Weld joints	: TIG argon arc welding

MATERIAL OF CONSTRUCTION

Sensing element	: Diaphragm
Case & Ring material	: AISI 304 SS (Bayonet type)
Diaphragm, Bourdon tube & Shank	: AISI 316L SS (Shank welded directly to case)
Movement mechanism	: AISI 304 SS
Seal body	: AISI 316 SS
Dial	: Aluminum, black graduation on white background
Pointer	: Micro-zero adjustable, aluminum, black powder coated
Gaskets & filling plug	: Neoprene / NBR
Window	: Shatterproof safety glass

STANDARD SPECIFICATIONS

Dial size	: DN100
Range	: 4...70 bar
Mounting pattern	: Direct, Bottom connection
Process connection	: 1/2" NPT (M) / 1/2" BSP (M)
Seal filling fluid	: Silicon DC 200
Ingress protection	: IP 65
Execution	: Dry

STANDARD SPECIFICATIONS : DAMPENING LIQUID FILLED, GLYCERIN

Accuracy	: CL 2.5
Window	: Plexi glass
Dampening liquid	: Glycerin 99.7%

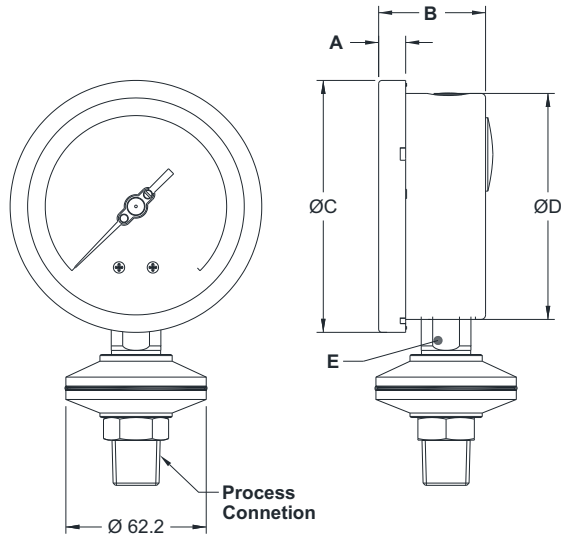
TEMPERATURE EFFECT

When temperature of the measuring system deviates from reference temperature (+20°C) max error $\pm 0.4\%$ / 10K of true scale value.

REFERENCE

EN 837-1

DIMENSIONAL DRAWING



DN	A	B	ØC	ØD	E	Weight (grams)
100	12	48	111	100	SQ.22	950
150	15	48	161	149	SQ.22	1350

All dimensions are in mm.

ORDERING CODES

1. DIAL SIZE

- 04 100 mm / 4"
- 06 150 mm / 6"

2. RANGE

- XXX Refer "Range Table"

3. MOUNTING PATTERN

- B0 Direct, Bottom connection

4. PROCESS CONNECTION

- 12B 1/4" BSP (M)
- 12N 1/4" NPT (M)
- 13B 3/8" BSP (M)
- 14B 1/2" BSP (M)
- 14M M20 X 1.5 mm (M)
- 14N 1/2" NPT (M)

5. INGRESS PROTECTION

- ER IP 65

6. EXECUTION

- EA Dry
- EB Dry but fillable
- EG Dampening liquid filled, glycerine

7. OTHER OPTIONS

- TA 5 - point calibration certificate
- TC Material test certificate 3.1
- TM Material test certificate 2.2
- XF SS tag plate, AISI 304 SS
- XG SS tag plate, AISI 316 SS
- XR Custom designed dial
- XT Dial tag marking

Ordering Example : P703-04-XXX-B0-T96-ER-EA

NOTES

- 1. For other connections, please contact factory.